



# CLEAR LAKE AUDIO GUGA®



Great for Concert Halls, medium sized to large venues,  
Houses of Worship

## Features

- Three way system plus subwoofers.
- 12 inch neodymium magnet woofer.
- Dual 6 inch cone midranges .
- Dual 2 inch annular radiators.
- 6 Position inter-enclosure variable angle
- Self Powered line array System ,
- 3 way full response system .
- High definition, Impressive clarity sound
- Vertical array or Horizontal arc array.
- Great Reliability of the Claud sound systems.

GUGA SPECIFICATIONS: GUGA® specifications are based on measurement procedures to allow the realistic performance.

Frequency response-  
50Hz-20kHz +- 3 dB

Max SPL - 134 dB 1 box\*  
137 dB 2 boxes\*  
140 dB 4 boxes\*  
143 dB 8 boxes\*

Input XLR Balanced  
1000 mV - 10 Kohms

Component: 1X12 inch neodymium woofer  
2X 6 inch mid range cone woofer.  
2X2 inch high frequency drivers.

Coverage: 100 degree vertical.  
15 degree Horizontal.

Processor cut low : 90 Hz 48 Db/oct LR  
Cut high 19kHz 24 dB/oct LR

Power Amplification: Class D, Power Factor Correction

\*Max SPL calculated

## Enclosure

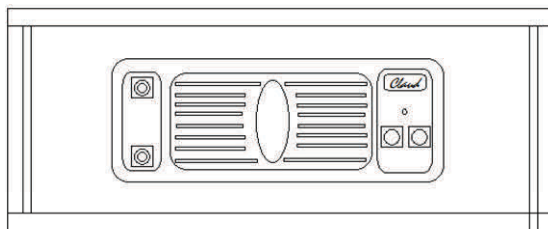
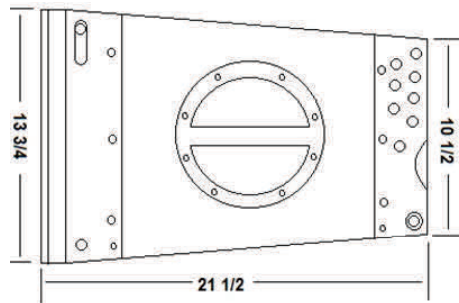
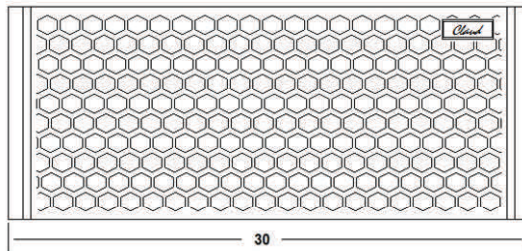
Height: 13.7n  
Depth: 18,0in  
Width: 30.0in  
Weight: 65lbs

Connectors Neutrik® XLR male & female, and NL3 Power Con.  
7.0 amp 110 Volts 60 Hz  
Connector set : Claud FO series  
Rigging: Flying Hardware Integrated, Variable 6 positions  
1.25, 2.50, 3.75, 5, 6.25 and 7.5).  
Pin set rigging: T handle push lock pin 3/8 X 2".  
Grill: Black Epoxy Perforated steel with acoustically transparent cloth (Poroflex)  
Portability: one round handle by side.  
Finish: Elasto-Film



# CLEAR LAKE AUDIO GUGA®

## Architectural View



The Guga line array with its exceptional output to size ratio is optimized for a wide range of touring and fixed installation, Guga is the solution for those who need a high output potential and superb sound quality, optimizing the size and lightweight, its applications are houses of worship, sports arenas, performing arts centers, ballrooms and live clubs

The Guga delivers premium, high output, 3 way performance in a compact and user friendly package, dual 1 inch high frequency compression drivers and two small chamber for the full response 6 inch mid-woofer and 1 twelve inch neodymium transducer with and xmax of 4.46mm and voice coil of 2.56 inch diameter in a bass-reflex design, the coverage pattern in the Guga is 15 degrees vertical and 100 degrees horizontal, the flying hardware is 6 position each position inter-enclosure as following ( 1.25, 2.50, 3.75, 5, 6.25 and 7.5).

The amplification in the Guga is a Class D amplifier module with a PFC module that automatic mains voltage selector for world wide operation from 96v to 227v with a low 0.5 W low standby power consumption and a damping factor of 10000. Temperature controlled internal Fan and output and a dedicated optional DSP board remote control & networking can be added in factory providing a complete solution in a compact package.