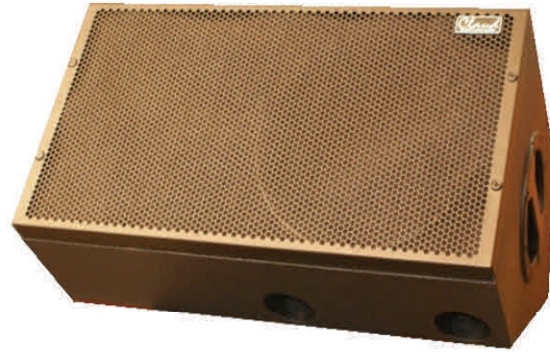




CLEAR LAKE AUDIO PQ-12m®

Compact Size three way full range 12 inch component and ring radiator driver.

Built for the demanding needs of today's live productions



Features

- Simple setup and operation provided by self-powered systems.
- Gives the performer more freedom to move on stage while staying within the wide vertical coverage
- Two handles for easy one man handling

- internal cross-over design, for flat un-colored sound.
- High Power output capability with the highest fidelity and low distortion at high levels
- Touring sound reinforcement for any size stages.

PQ-12m ® SPECIFICATIONS: specifications are based on measurement procedures to allow the realistic performance.

Frequency response-
50Hz-20kHz +- 3 dB
SPL 124dB Max SPL - 127 dB

Input XLR Balanced
775 mV - 10 Kohms

Component: 1x12 inch neodymium woofer 50Hz to 450Hz
1x 6 inch midrange woofer 450Hz to 6 KHz
1x2 inch ring radiator 6Hz to 20kHz

Power Amplification: 350w RMS Class AB mosfet

*Max SPL calculated

Enclosure

Height 18 in
Depth: 20 in
Width: 29 in
Weight:50lbs

Connectors :Neutrik® XLR male & female, and NL3 Power Con.

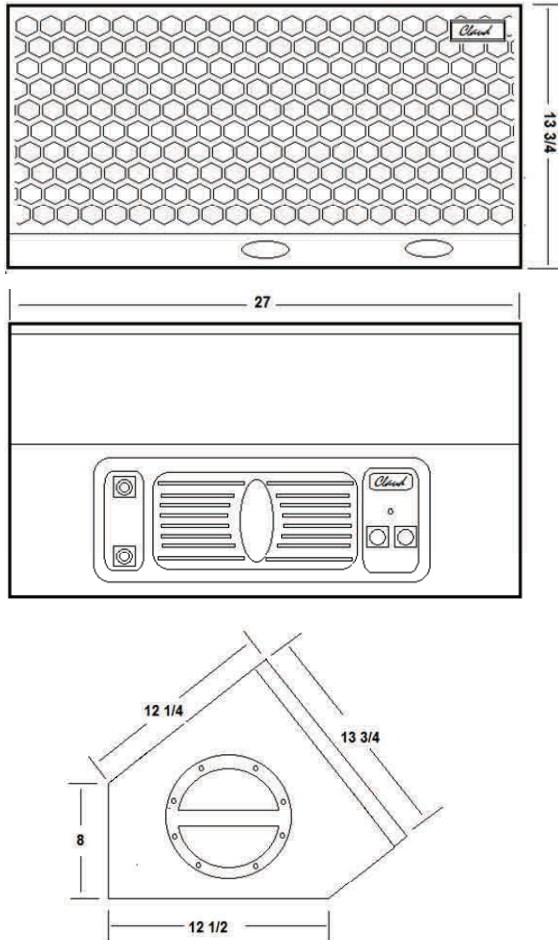
Transportability:
Two lateral wooden handles .

Grill: Black Epoxy Perforated steel with acoustically transparent cloth (Poroflex)



CLEAR LAKE AUDIO PQ-12m®

Architectural View



The PQ-12m is 3 way monitor deigned specifically for live sound, even if the very compact, low-profile enclosure makes it suitable also for theater and television applications. The combination of a high-performance of 6 inch and 12 inch transducers, a carefully designed cabinet and powerful electronics provides a very high

The PQ 12 m incorporates a 12 inch neodymium magnet cone woofer with a 2.5 inch voice coil with a response of 50Hz to 450Hz a 6 inch ultra low distortion mid-range from 450Hz to 6kHz and for the high frequency section a 2 inch ring radiator driver from 6kHz to 20kHz

The amplification in the PQ-12m is a Class D amplifier module with a PFC module that automatic mains voltage selector for world wide operation from 96v to 227v with a low 0.5 W low standby power consumption and a damping factor of 10000. Temperature controlled internal Fan and output.

and a dedicated optional DSP board remote control & networking can be added in factory providing a complete solution in a compact package. the cabinet is constructed from Baltic birch plywood and coated with a heavy duty, textured black polyurea. A metal grille lined with acoustical black foam protects the components